

Taymor

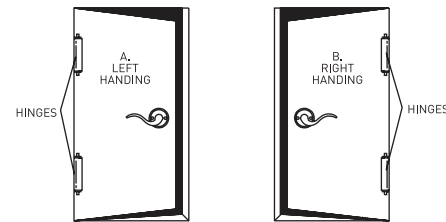
INSTALLATION INSTRUCTIONS  
**STRAIT (USA)**

**TOOLS AND MATERIALS REQUIRED**

- > Drill
- > 2-1/8" (54 mm) Hole Saw
- > 3/8" (10 mm) Drill Bit
- > 1" (25 mm) Wood Bit
- > Chisel
- > Phillips Screw Driver
- > Tape Measure

**1 DETERMINE DOOR HANDING**

Stand at the exterior side and face the door.  
 A. Your door is a **LEFT HAND** door if hinges are installed at your left hand.  
 B. Your door is a **RIGHT HAND** door if hinges are installed at your right hand.



**2a USE THROUGH-BOLT TEMPLATE TO MARK AND DRILL HOLES**

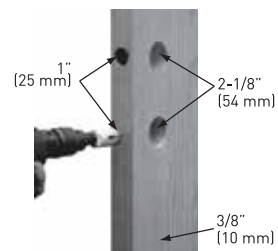
**1. MARK DOOR**

Use template attached to mark holes on door face.  
 A. Make mark for 1" (25 mm) hole on door edge.  
 B. Height 36" (914 mm) to 38" (965 mm) from floor.

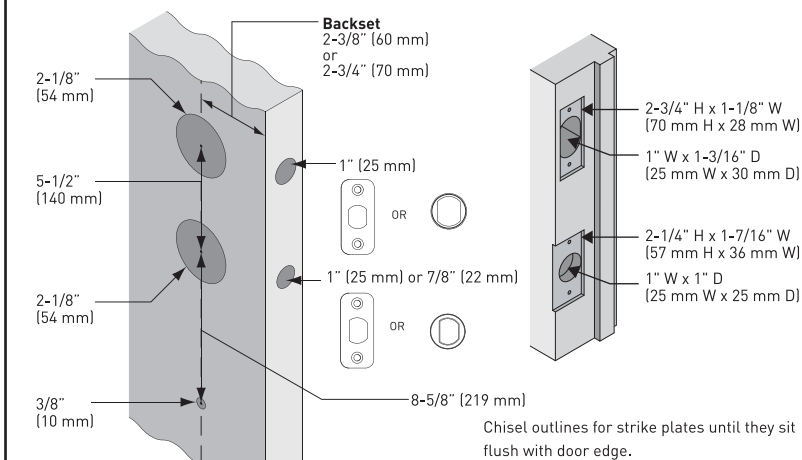


**2. DRILL HOLES**

Select backset. Mark and drill holes as shown.

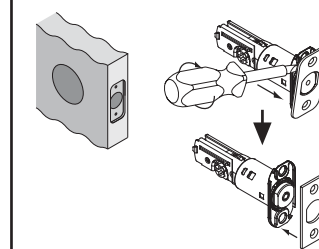


**2b IF REPLACING EXISTING HANDLESET OR INSTALLING ON PRE-DRILLED DOOR, CHECK DOOR JAMB AND DOOR PREPARATION**



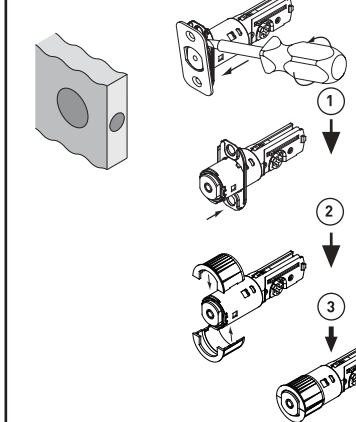
**3 CHOOSE LATCH FACE PLATE FOR HANDLESET & DEADBOLT**

**RADIUS OR SQUARE CORNER MORTISE**

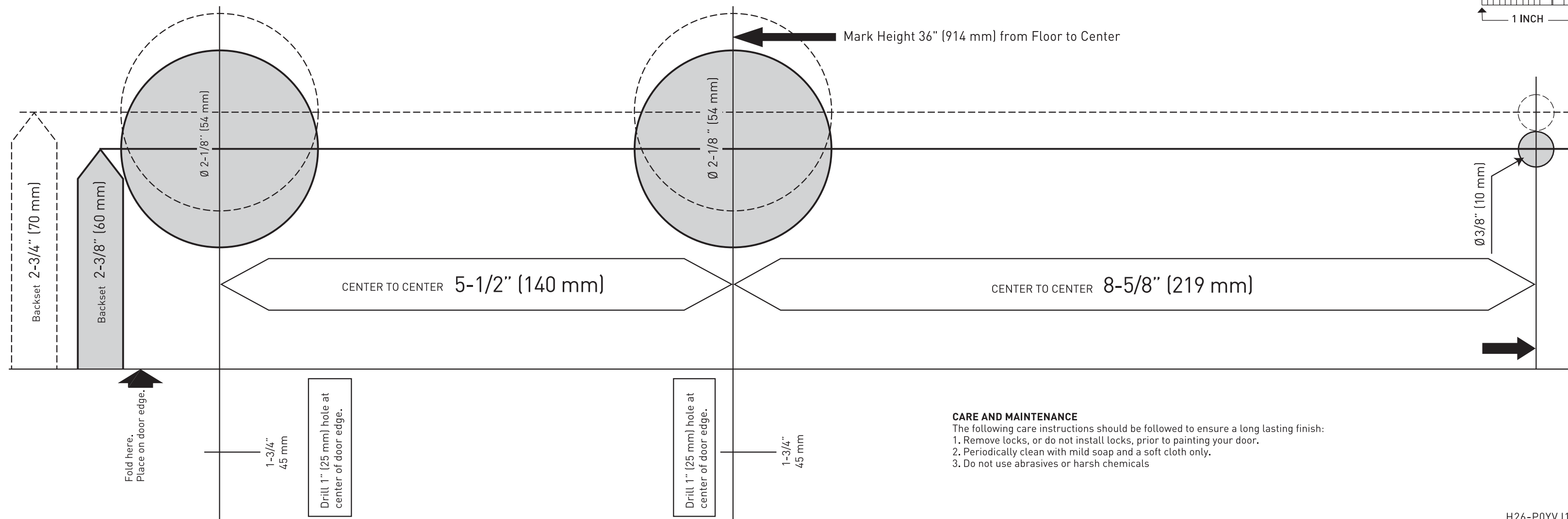


Chisel 1/8" (3 mm) deep or until latch face plate is flush with door edge.

**DRIVE-IN**



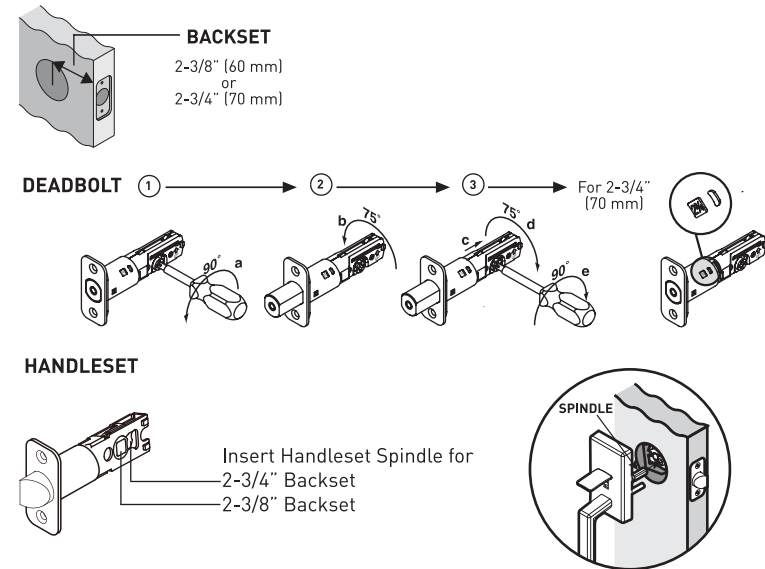
**IMPORTANT: Print template to scale if not factory supplied instructions.**



**CARE AND MAINTENANCE**

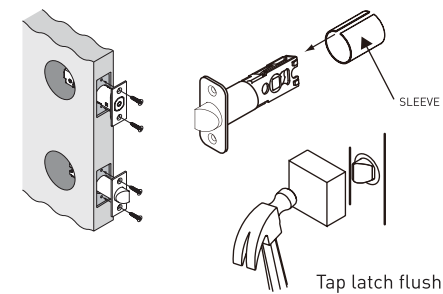
- The following care instructions should be followed to ensure a long lasting finish:
1. Remove locks, or do not install locks, prior to painting your door.
  2. Periodically clean with mild soap and a soft cloth only.
  3. Do not use abrasives or harsh chemicals

**4 IF NECESSARY ADJUST LATCH INSTALLATIONS FOR PROPER BACKSET**



**5 INSTALL HANDLESET LATCH AND DEADBOLT**

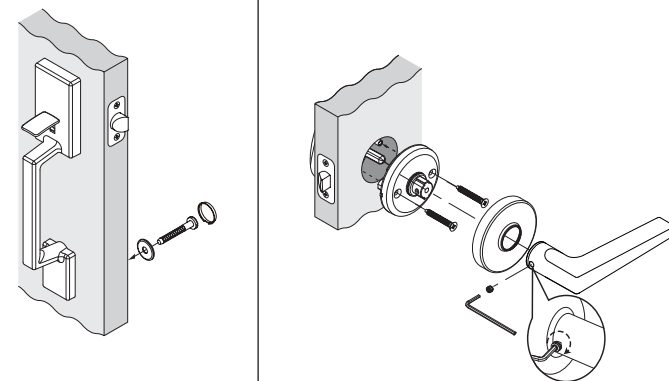
- Place sleeve over handleset latch before installation in square corner or radius corner mortise configuration
- Do not use sleeve for installations in drive-in configuration



**6 INSTALL HANDLESET, INSIDE LEVER OR KNOB**

Install Handleset

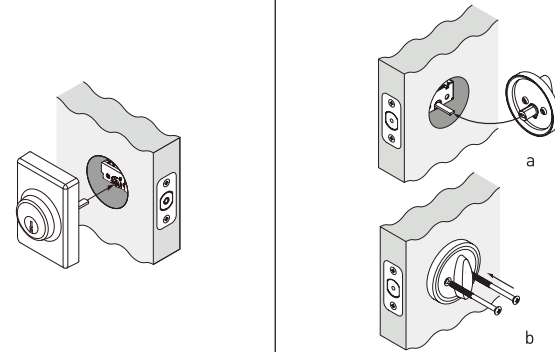
Install Inside Knob or Lever



**7 (FOR SINGLE CYLINDER FUNCTION) INSTALL OUTSIDE CYLINDER HOUSING AND INTERIOR THUMBTURN**

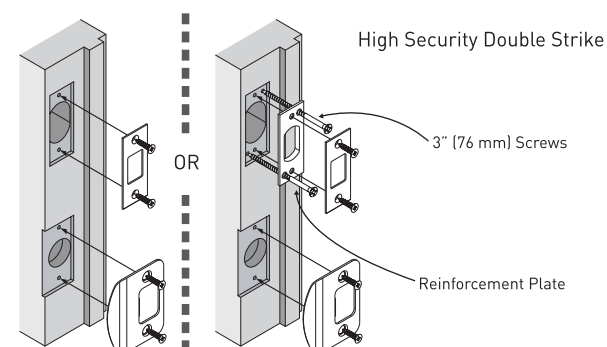
Install Outside Cylinder

Install Thumbturn



**8 INSTALL STRIKES**

Install strikes onto door jamb.



- |  |   |
|--|---|
| 1. Outside Cylinder                    | 12. Interior Rose                               |
| 2. Deadbolt Latch                      | 13. Inside Lever                                |
| 3. Thumbturn                           | 14. Washer                                      |
| 4. 2-5/8" (66 mm) Deadbolt Screws (2)  | 15. 1-1/4" (32 mm) Handleset Post Screw (1)     |
| 5. Rounded Corner Faceplate            | 16. Screw Cap                                   |
| 6. 3/4" (19 mm) Latch Screws (4)       | 17. Deadbolt Strike                             |
| 7. 1-1/4" (32 mm) Strike Screws (4)    | 18. Latch Strike                                |
| 8. Handleset                           | 19. 3" (76 mm) Reinforcement Screws (2)         |
| 9. Handleset Latch                     | 20. Reinforcement Strike Plate                  |
| 10. Interior Rose Plate                | 21. Set Screw                                   |
| 11. 1-1/2" (38 mm) Mounting Screws (2) | 22. Wrench                                      |
|  | 23. 2-Piece Drive-In Collar for Deadbolt Latch  |
|  | 24. 2-Piece Drive-In Collar for Handleset Latch |

