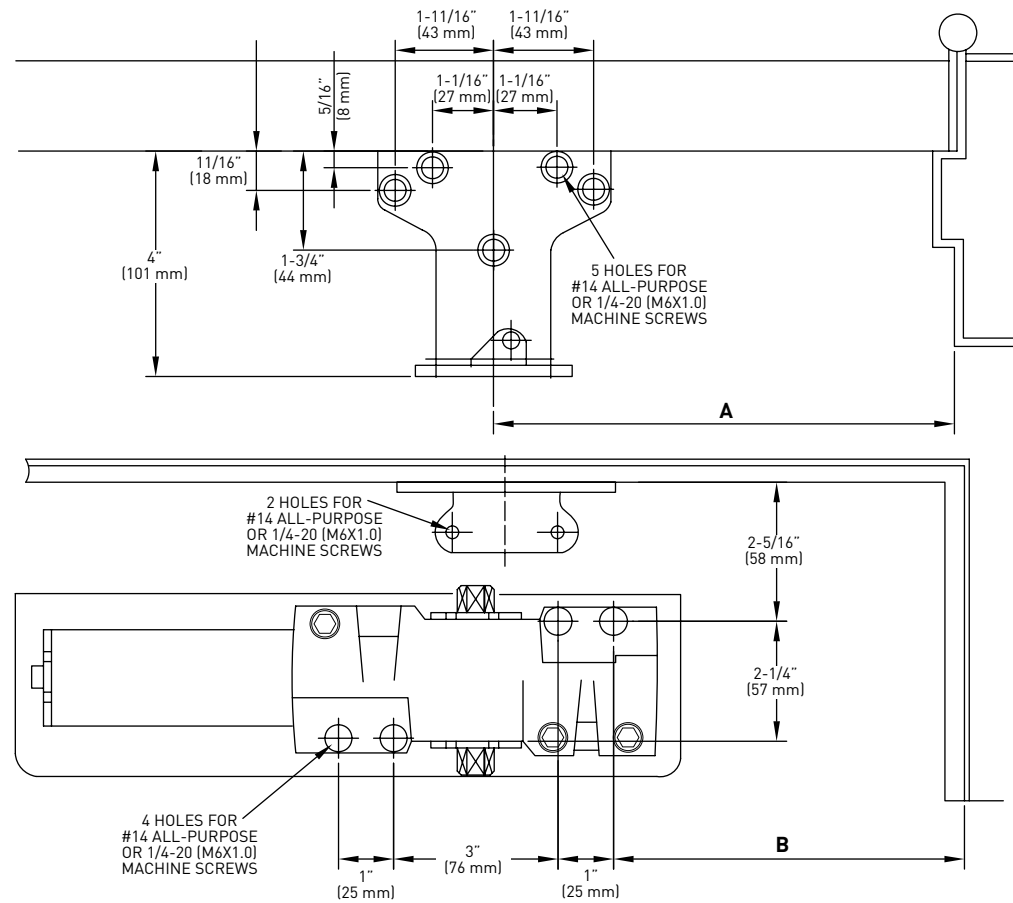


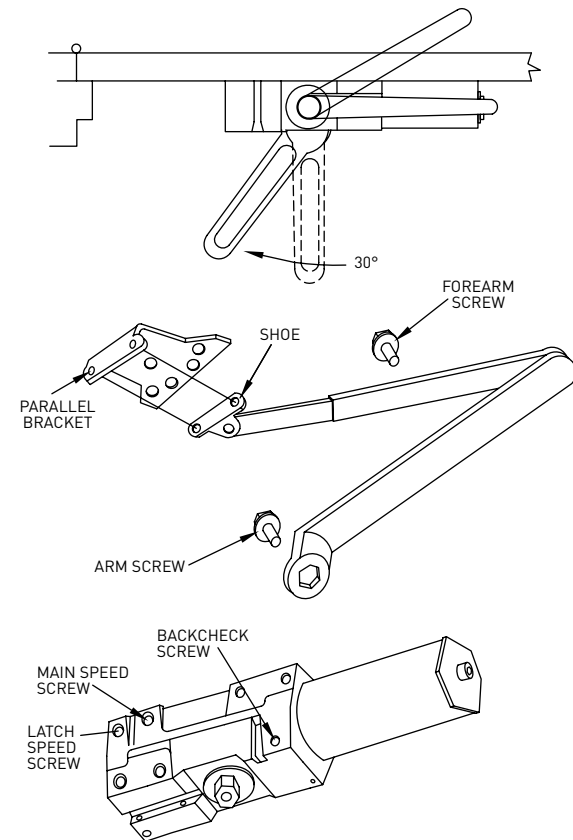
PARALLEL ARM INSTALLATION - CLOSER MOUNTED DOOR ON PUSH SIDE

The illustration shown below is for a RIGHT HAND DOOR. For LEFT HAND DOOR refer to template provided.



INSTALLATION DIMENSIONS

OPENING	"A"	"B"
TO 100°	9-7/16" (240 mm)	8-1/4" (210 mm)
TO 120°	8-5/8" (220 mm)	7-5/16" (185 mm)
TO 180°	7-7/8" (200 mm)	6-1/2" (165 mm)



1. Before installation, turn Backcheck selector valve (found on the opposite side of closer from back check screw side) **CLOCKWISE**.
2. Adjust spring tension to match door width as indicated on the chart on page 1.
3. Mount closer using enclosed template with tube-end toward door latch.
4. Place an open end wrench on bottom shaft and turn it toward hinge door jamb about 30°, then place main arm on top of the shaft, insert screw into top of shaft and tighten.
5. Install parallel bracket using enclosed template.
6. Attach rod and shoe to parallel bracket as shown.
7. Insert rod into forearm, and then insert main arm to closer parallel door. Then insert forearm set screw and tighten. (IF HOLD OPEN ARM IS USED, THE NUT MUST BE ON TOP FOR **RH DOOR** AND BOTTOM FOR **LH DOOR**)

GUIDELINE:
A 'normal' closing time from 90° open position to door closing position is 4-6 seconds, evenly divided between closing and latching speed. Use socket key (included) to adjust these speed. To slow down closing speed, turn regulating screw nearest shaft clockwise. To slow down latching speed, turn regulating screw nearest latch clockwise.

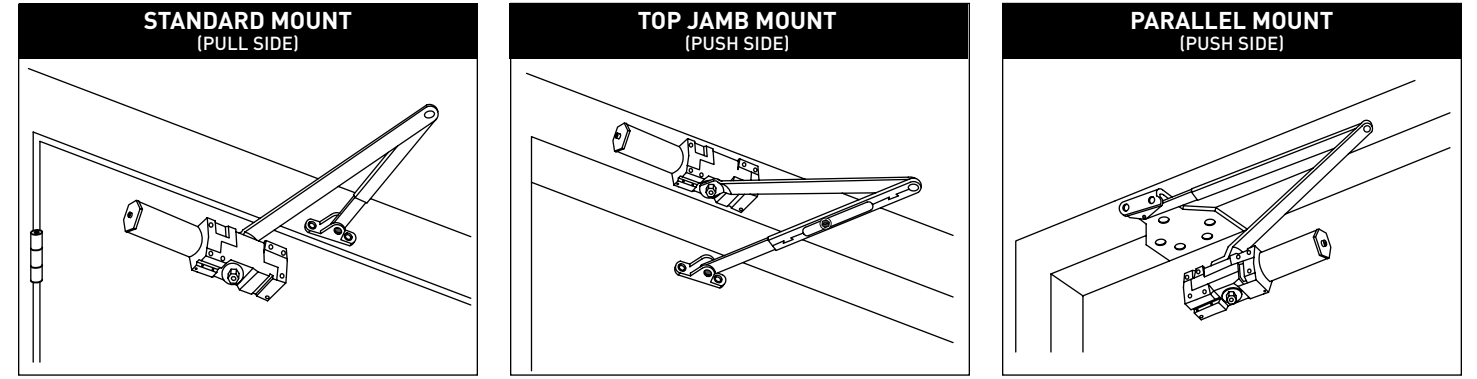
BACK CHECK:
To adjust backcheck, turn the regulating screw adjacent to the door hinges clockwise. **WARNING: Do not use backcheck function as a door stop.**

COVER:
Locate top and bottom cover then push cover against the door closer. Tighten both screws securely.

HOLD OPEN ADJUSTMENT: (WHEN HOLD OPEN ARM IS USED)
Loose adjusting nut, open door to desired hold open position and tighten the nut. Do not permit door to swing beyond hold opening position.

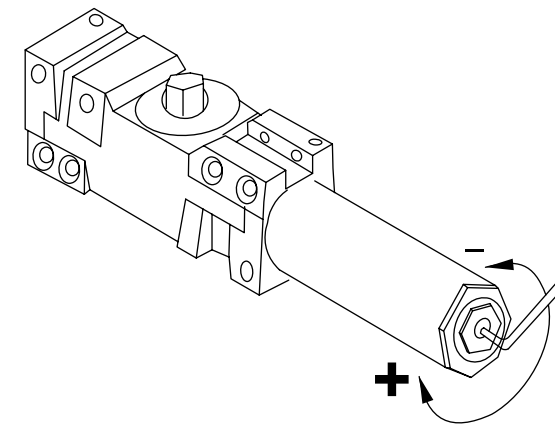
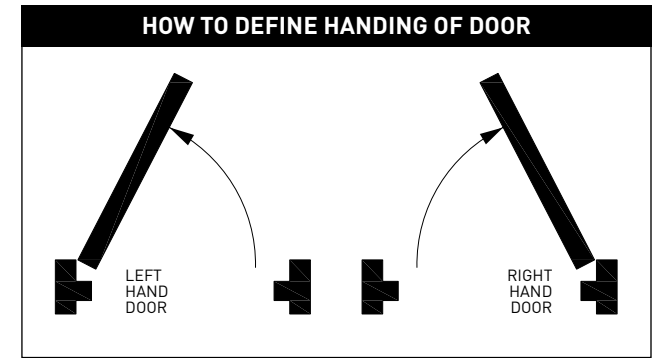
Taymor 13-4000 SERIES DOOR CLOSER

INSTALLATION INSTRUCTIONS

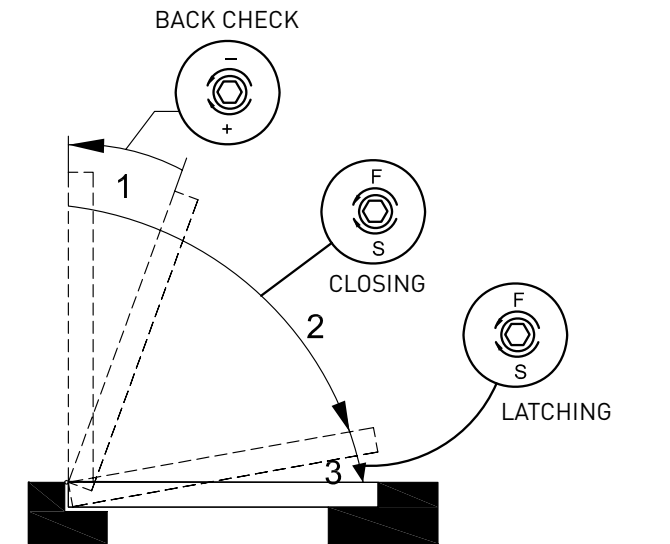


MAXIMUM DOOR WIDTH

EXTERIOR DOORS	INTERIOR DOORS	FULL TURNS REQUIRED
	5 lb-f*	5 TURNS C.C.W.
8.5 lb-f*	34" (864 mm)	2 TURNS C.C.W.
30" (762 mm)	38" (962 mm)	0 TURNS
36" (914 mm)	48" (1219 mm)	5 TURNS C.W.
42" (1067 mm)	54" (1372 mm)	10 TURNS C.W.
48" (1219 mm)	60" (1524 mm)	15 TURNS C.W.



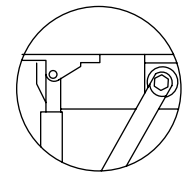
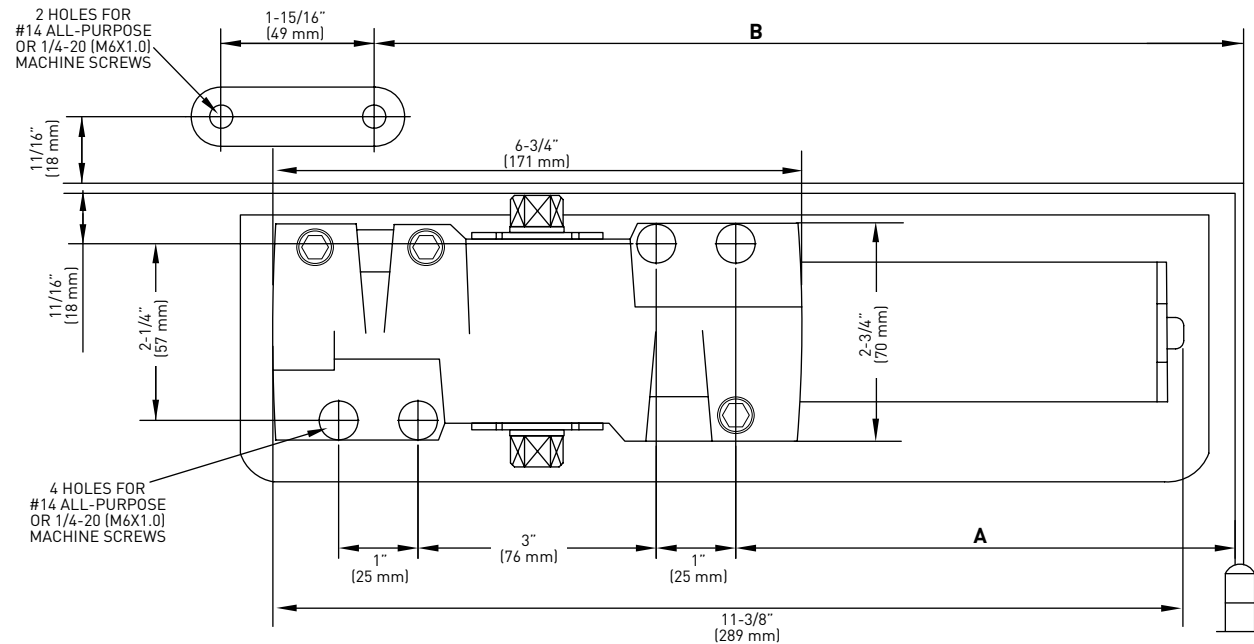
SPRING POWER ADJUSTMENT



CONTROL RANGE

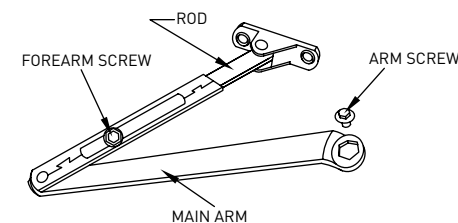
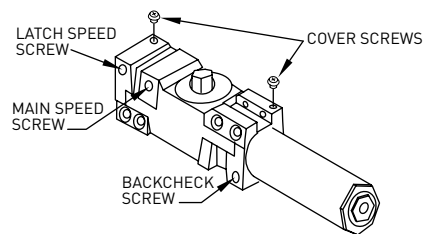
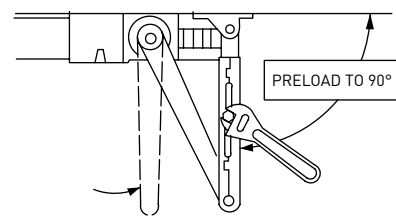
STANDARD INSTALLATION - CLOSER MOUNTED ON DOOR ON PULL SIDE

The illustration shown below is for a LEFT HAND DOOR. For RIGHT HAND DOOR refer to template provided.



INSTALLATION DIMENSIONS

OPENING	"A"	"B"
TO 100°	7-5/16" (185 mm)	11-13/16" (300 mm)
TO 130°	6-1/4" (159 mm)	10-13/16" (275 mm)



1. Adjust spring tension to match door width as indicated by chart on page 1.
2. Mount closer on door as dimension shown. Tube-end toward hinge. If pivots are used, locate closer and shoe from CENTERLINE OF PIVOT. (For offset pivots, increase the marked dimensions by 1/8")
3. Place main arm on top of shaft 100° to closer body. Insert arm screw into top of the shaft and tighten.
4. Attach shoe to frame as shown. (If more latching power is required, rotate shoe 180°)
5. Open door and insert rod in forearm.
6. With forearm at right angle to door (90°), insert forearm set screw and tighten. (IF HOLD OPEN ARM IS USED, THE NUT MUST BE ON TOP FOR RH DOOR AND BOTTOM FOR LH DOOR)

GUIDELINE:

A 'normal' closing time from 90° open position to door closing position is 4-6 seconds, evenly divided between closing and latching speed. Use socket key (included) to adjust the speed. To slow down closing speed, turn regulating screw nearest shaft clockwise. To slow down latching speed, turn regulating screw nearest latch clockwise.

BACK CHECK:

To adjust backcheck, turn the regulating screw adjacent to the door hinges clockwise. **WARNING: Do not use backcheck function as a door stop.**

COVER:

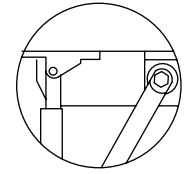
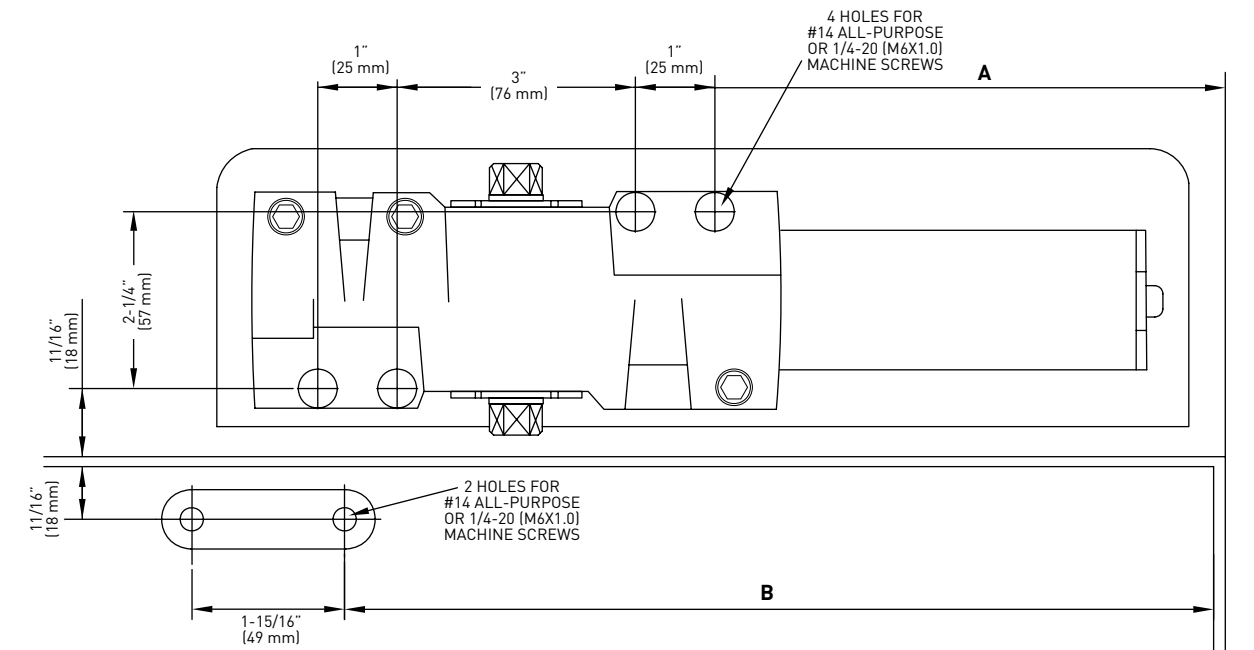
Locate top and bottom cover then push cover against the door closer. Tighten both screws securely.

HOLD OPEN ADJUSTMENT: (WHEN HOLD OPEN ARM IS USED)

Loosen adjusting nut, open door to desired hold open position and tighten the nut. Do not permit door to swing beyond hold opening position.

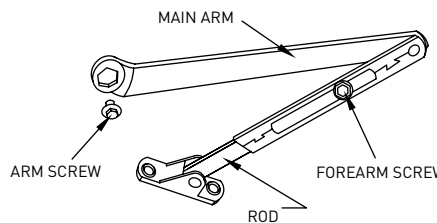
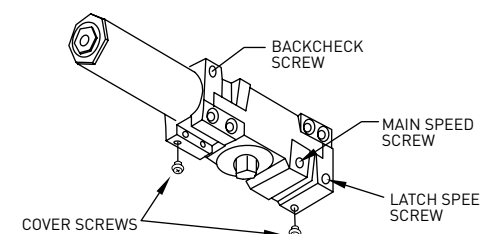
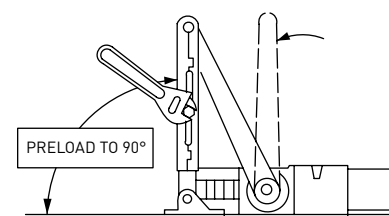
TOP JAMB INSTALLATION - CLOSER MOUNTED ON TOP JAMB ON PUSH SIDE

The illustration shown below is for a RIGHT HAND DOOR. For LEFT HAND DOOR refer to template provided.



INSTALLATION DIMENSIONS

OPENING	"A"	"B"
TO 100°	7-5/16" (185 mm)	11-13/16" (300 mm)
TO 130°	6-1/4" (159 mm)	10-13/16" (275 mm)



1. Adjust spring tension to match door width as indicated by chart on page 1.
2. Mount closer on door as dimension shown. Tube-end towards hinge. If pivots are used, locate closer and shoe from CENTERLINE OF PIVOT. (For offset pivots, increase the marked dimensions by 1/8")
3. Place main arm on top of shaft 100° to closer body. Insert arm screw into top of the shaft and tighten.
4. Attach shoe to frame as shown. (If more latching power is required, rotate shoe 180°)
5. Open door and insert rod in forearm – use rod to reveal 2-5/8" through 4-13/16". Use Forearm Extended Rod (available as an option) to reveal 4-7/8" to 8".
6. With forearm at right angle to door (90°), insert forearm set screw and tighten. (IF HOLD OPEN ARM IS USED, THE NUT MUST BE ON TOP FOR RH DOOR AND BOTTOM FOR LH DOOR)

GUIDELINE:

A 'normal' closing time from 90° open position to door closing position is 4-6 seconds, evenly divided between closing and latching speed. Use socket key (included) to adjust these speed. To slow down closing speed, turn regulating screw nearest shaft clockwise. To slow down latching speed, turn regulating screw nearest latch clockwise.

BACK CHECK:

To adjust backcheck, turn the regulating screw adjacent to the door hinges clockwise. **WARNING: Do not use backcheck function as a door stop.**

COVER:

Locate top and bottom cover then push cover against the door closer. Tighten both screws securely.

HOLD OPEN ADJUSTMENT: (WHEN HOLD OPEN ARM IS USED)

Loose adjusting nut, open door to desired hold open position and tighten the nut. Do not permit door to swing beyond hold opening position.