

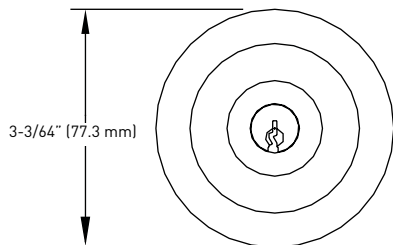
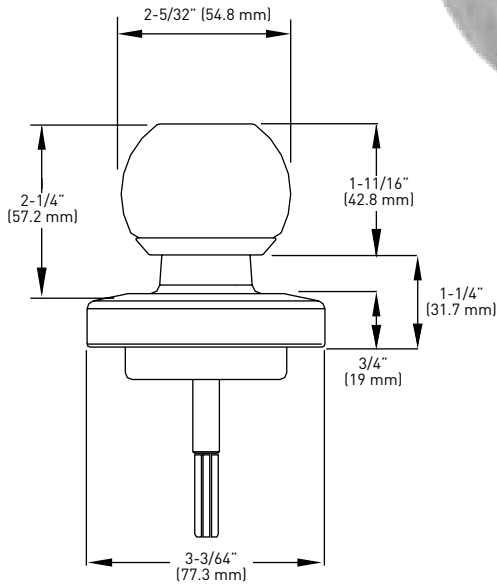
Taymor

# EXIT HARDWARE

**8500 & 9700 SERIES BALL KNOB  
EXTERIOR TRIM**  
BUILDER PACK



BALL KNOB TRIM



## FEATURES

- NEW ENHANCEMENTS** MEETS OR EXCEEDS BHMA/ANSI GRADE 1 ULTRA-HEAVY DUTY ACTUATING MECHANISM
- COMPATIBILITY** ALL 8500 & 9700 SERIES PUSH PAD EXIT DEVICES
- FINISHES** SATIN CHROME (C26D)
- FUNCTIONS** ENTRY\*, STOREROOM
- CYLINDER** RIM CYLINDER WITH 6 PIN SCHLAGE 'C' KEYWAY FOR STOREROOM FUNCTION MORTISE CYLINDER (1-1/8" DEPTH) WITH 6 PIN SCHLAGE 'C' KEYWAY FOR ENTRY FUNCTION

\*ENTRY FUNCTION ALSO SERVES AS CLASSROOM FUNCTION

### BALL KNOB TRIMS

	C32D SATIN STAINLESS STEEL	CASE PACK
ENTRY FUNCTION* - SCHLAGE "C" KEYWAY	17-ENBKAL	6
STOREROOM FUNCTION - TRIM MOUNTING PLATE INCLUDED (17-PPMTMP)	17-SRBKAL	6