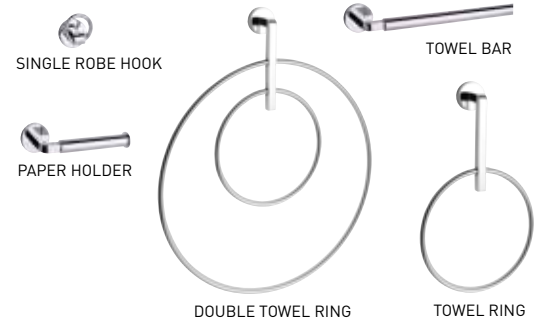


Taymor® | PRODUCT SPECIFICATIONS

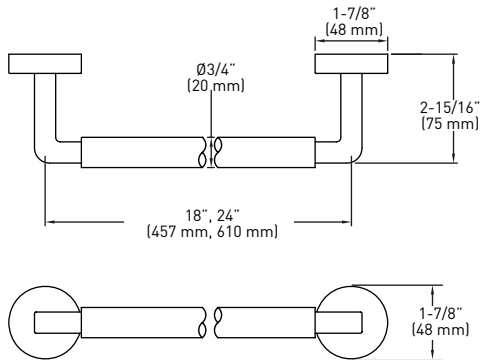
BITTER SUITE

FEATURES

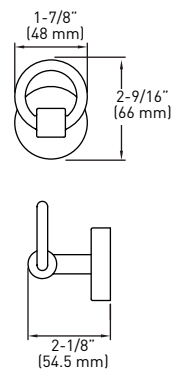
- › INCLUDES SOLID ZINC DIE CAST MOUNTING PLATES: 1-11/16" x 1-3/16" [43 mm x 30 mm]; NYLON ANCHORS AND STEEL PHILLIPS HEAD SCREWS: #8 x 1-3/8" [35 mm]
- › BRASS CONSTRUCTION



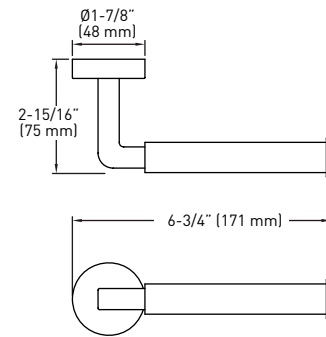
TOWEL BARS



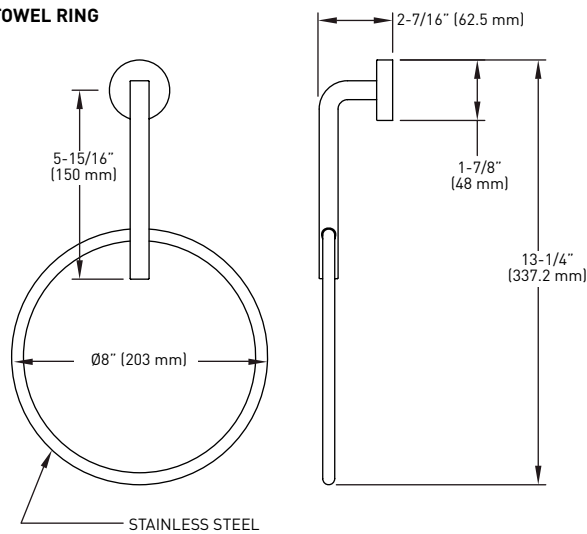
SINGLE ROBE HOOK



PAPER HOLDER

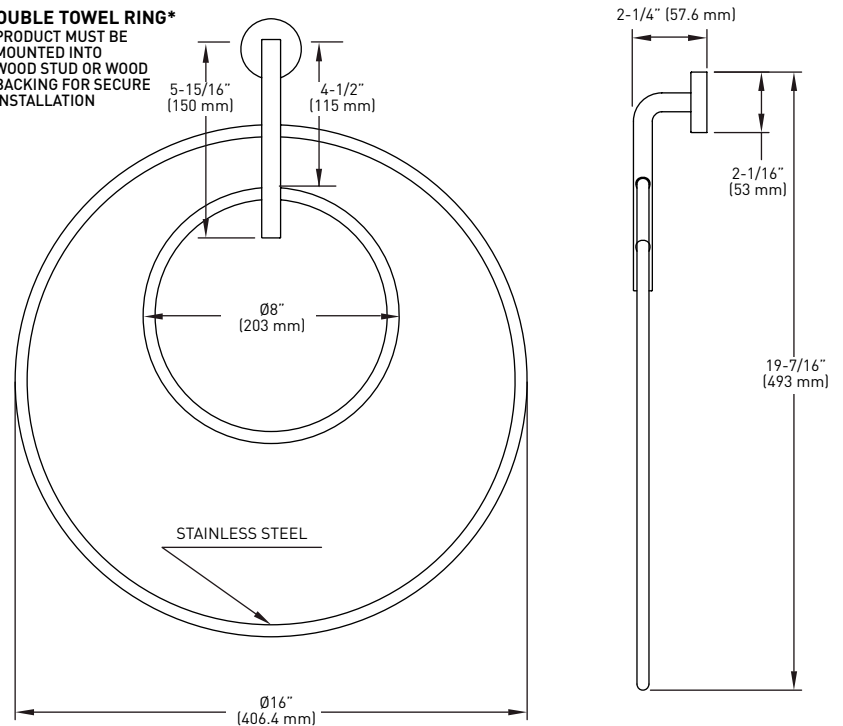


TOWEL RING



DOUBLE TOWEL RING*

* PRODUCT MUST BE MOUNTED INTO WOOD STUD OR WOOD BACKING FOR SECURE INSTALLATION



MEASUREMENTS SUBJECT TO A 3% VARIANCE.

BUILDER PACK	POLISHED CHROME 26	MATERIAL	CASE PACK
18" TOWEL BAR	04-33018	BRASS	10
24" TOWEL BAR	04-33024	BRASS	10
SINGLE ROBE HOOK	04-33001	BRASS	10
TOWEL RING	04-33004	BRASS/ STAINLESS STEEL	10
DOUBLE TOWEL RING	04-33007D	BRASS/ STAINLESS STEEL	4
PAPER HOLDER	04-33048	BRASS	10

SPECIAL ORDER: This product is available for project orders - minimum quantities and lead times apply. For quotes or assistance for multi-family residential projects, please contact our Customer Service team.
CUSTOMER SERVICE 1-800-388-9887