

Taymor

PRODUCT SPECIFICATIONS

BUILDERS SERIES

TAHOE

LEVERSET

SPECIFICATIONS

- SOLID METAL CONSTRUCTION
- 4-IN-1 ADJUSTABLE LATCH FOR DRIVE-IN AND RADIUS MORTISE INSTALLATIONS WITH ADJUSTABLE BACKSET: 2-3/8" (60 mm) – 2-3/4" (70 mm)
- FITS STANDARD DOOR THICKNESS: 1-3/8" (35 mm) – 1-3/4" (45 mm)
- STANDARD BORE HOLES: 2-1/8" (54 mm)
- 1-3/4" x 2-1/4" FULL LIP CORNER RADIUS "D" STRIKE



GRADE **3**
ANSI GRADE 3



LIMITED LIFETIME WARRANTY



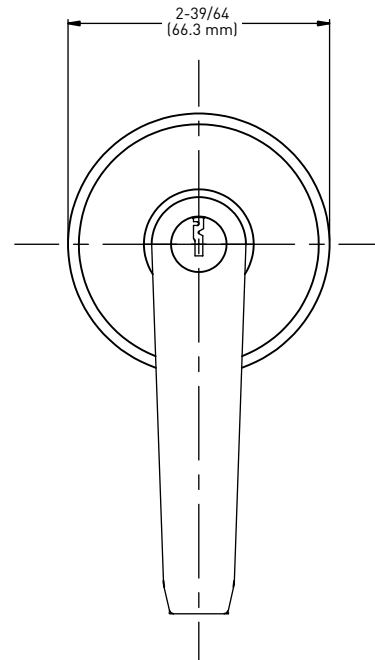
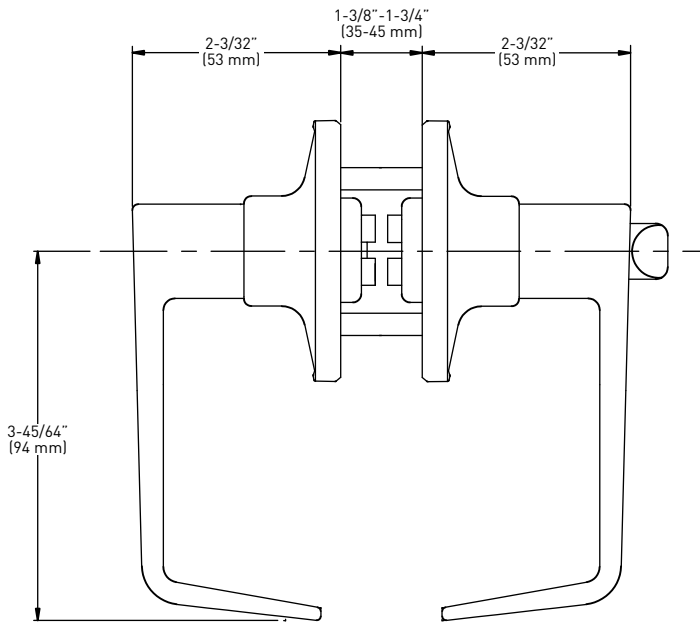
FULL KEYING SERVICES AVAILABLE
KW1 5-PIN KEYWAY



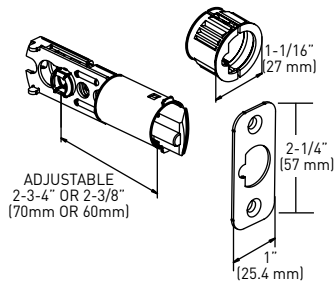
20 MINUTE
OPTIONAL
FIRE RATING



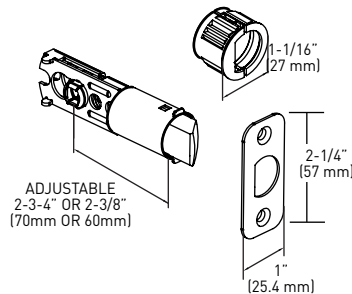
REVERSIBLE



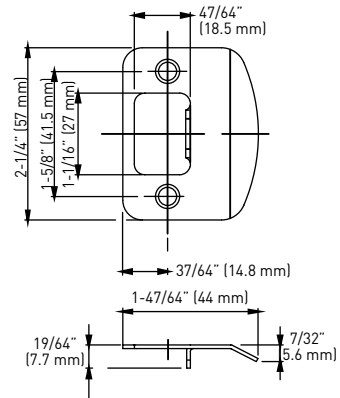
4-IN-1 ENTRY LATCH



4-IN-1 PRIVACY/PASSAGE LATCH



FULL LIP RADIUS CORNER "D" STRIKE



MEASUREMENTS SUBJECT TO A 3% VARIANCE

MEASUREMENTS ARE FOR REFERENCE ONLY. TAYMOR RESERVES THE RIGHT TO CHANGE THE PRODUCT SPECS WITHOUT NOTICE. FOR PRODUCT WARRANTY, PLEASE VISIT TAYMOR WEBSITE FOR DETAILS.

BUILDER PACK	ENTRY - KD	PRIVACY	PASSAGE	DUMMY	CASE QTY.
SATIN NICKEL 15 WITH PUSH BUTTON AUTO-RELEASE	36-RD3710SN	36-RD3703SN	36-RD3705SN	36-RD3707SN	20
	36-RD3710SNAR	36-RD3703SNAR	-	-	20
SATIN CHROME 26D	36-RD3710SC	36-RD3703SC	36-RD3705SC	36-RD3707SC	20

