

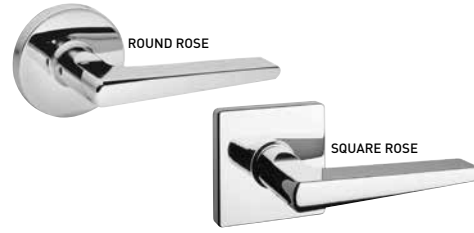
# Taymor | PRODUCT SPECIFICATIONS

THE  
PREMIER  
LINE

EQUINOX  
LEVERSET

## SPECIFICATIONS

- UNIVERSAL 6-IN-1 LATCH: DRIVE IN, SQUARE MORTISE AND RADIUS CORNER WITH ADJUSTABLE BACKSET: 2-3/8" (60 mm) – 2-3/4" (70 mm)
- STANDARD BORE HOLES: 2-1/8" (54 mm)
- FITS STANDARD DOOR THICKNESS: 1-3/8" (35 mm) – 1-3/4" (45 mm)
- FULL LIP RADIUS CORNER STRIKE WITH ADJUSTABLE TAB STANDARD: 1-3/4" x 2-1/4" (45 mm x 57 mm)



GRADE  
**3**  
ANSI GRADE 3



LIMITED LIFETIME MECHANICAL & FINISH WARRANTY



2-1/4"  
OPTIONAL  
EXTENSION KIT



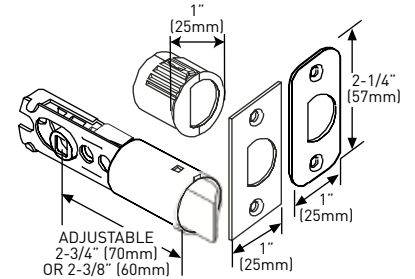
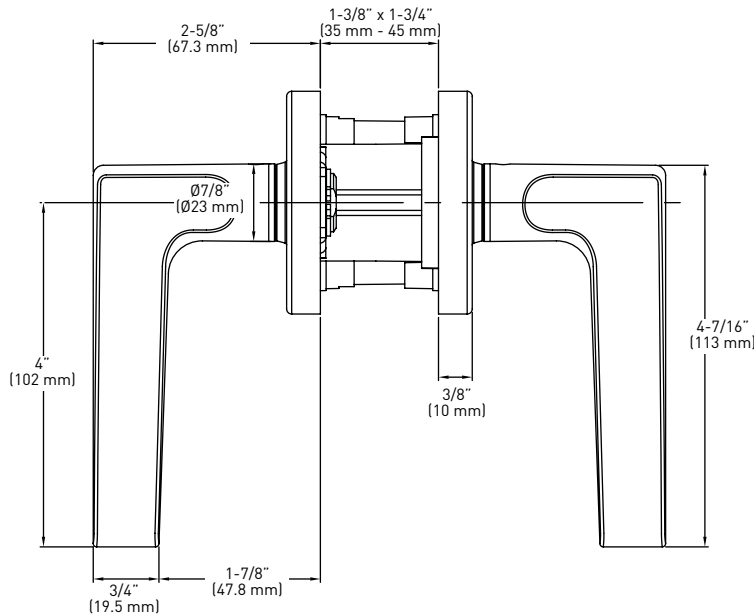
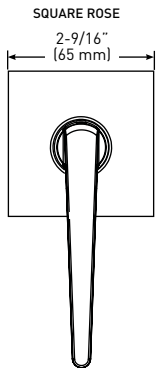
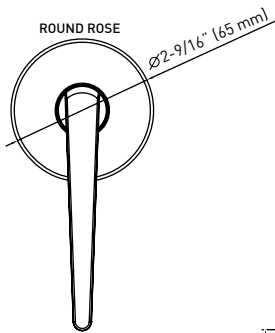
20 MINUTE  
OPTIONAL  
FIRE RATING



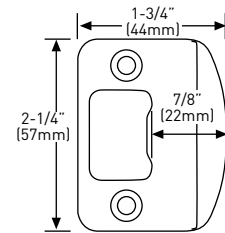
REVERSIBLE



MEETS ADA  
STANDARDS



6-IN-1 PRIVACY/PASSAGE LATCH



FULL LIP RADIUS STRIKE

MEASUREMENTS SUBJECT TO A 3% VARIANCE

MEASUREMENTS ARE FOR REFERENCE ONLY. TAYMOR RESERVES THE RIGHT TO CHANGE THE PRODUCT SPECS WITHOUT NOTICE. FOR PRODUCT WARRANTY, PLEASE VISIT TAYMOR WEBSITE FOR DETAILS [www.taymor.com](http://www.taymor.com)

EQUINOX - ROUND ROSE BUILDER PACK	PRIVACY	PASSAGE	INSIDE TRIM	DUMMY
AGED BRONZE 10B+	30-D004424BRN	30-D004434BRN	30-HL0044BRN	30-444BRN
SATIN NICKEL 15	30-D004424SN	30-D004434SN	30-HL0044SN	30-444SN
POLISHED CHROME 26	30-D004424PC	30-D004434PC	30-HL0044PC	30-444PC
CASE QTY 20				

EQUINOX - SQUARE ROSE BUILDER PACK	PRIVACY	PASSAGE		DUMMY
AGED BRONZE 10B+	30-D006824BRN	30-D006834BRN	-	30-684BRN
SATIN NICKEL 15	30-D006824SN	30-D006834SN	-	30-684SN
POLISHED CHROME 26	30-D006824PC	30-D006834PC	-	30-684PC
CASE QTY 20				

