

BRENTWOOD & ASTRAL SAFETY GRAB BARS

FEATURES

- › STAINLESS STEEL CONSTRUCTION
- › 1-1/4" O.D. (31.75 mm)
- › ERGONOMIC, NON-SLIP FINGER GRIP
- › ADA COMPLIANT
- › CONCEALED MOUNT
- › MAXIMUM WEIGHT LOAD 300 LBS (136 KG)
- › MOUNTING HARDWARE INCLUDED
- › IN COMPLIANCE WITH ANSI 117.1



BRENTWOOD



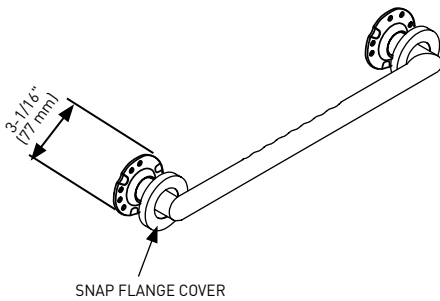
ASTRAL

MEETS ADA STANDARDS

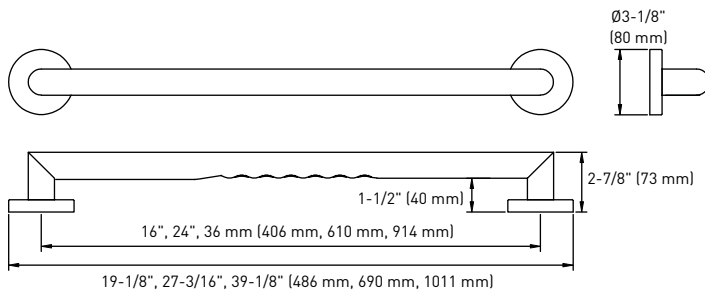


LIMITED LIFETIME WARRANTY

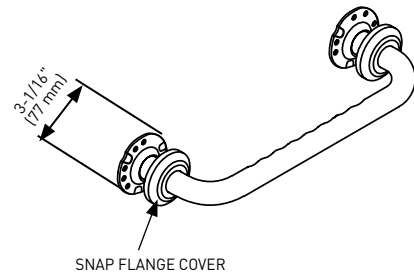
ASTRAL



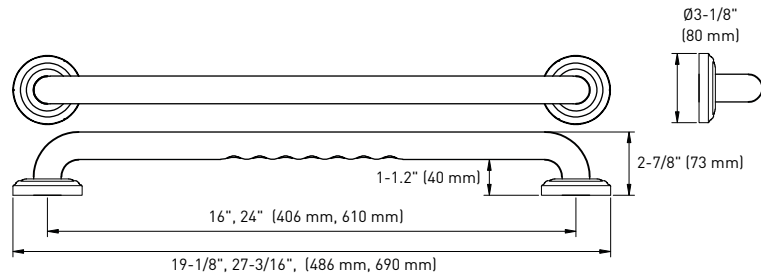
SNAP FLANGE COVER



BRENTWOOD



SNAP FLANGE COVER



VISUAL PACK

POLISHED STAINLESS STEEL 32

OIL RUBBED BRONZE 10B

CASE QTY.

16" ASTRAL GRAB BAR	03-6916PSS	03-6916SSBRN	3
24" ASTRAL GRAB BAR	03-6924PSS	03-6924SSBRN	3
16" BRENTWOOD GRAB BAR	03-7916PSS	03-7916SSBRN	3
24" BRENTWOOD GRAB BAR	03-7924PSS	03-7924SSBRN	3

MEASUREMENTS SUBJECT TO A 3% VARIANCE

MEASUREMENTS ARE FOR REFERENCE ONLY. TAYMOR RESERVES THE RIGHT TO CHANGE THE PRODUCT SPECS WITHOUT NOTICE. FOR PRODUCT WARRANTY, PLEASE VISIT TAYMOR WEBSITE FOR DETAILS

